

Архангельск (8182)63-90-72
Астана (7172)727-132
Астрахань (8512)99-46-04
Барнаул (3852)73-04-60
Белгород (4722)40-23-64
Брянск (4832)59-03-52
Владивосток (423)249-28-31
Волгоград (844)278-03-48
Вологда (8172)26-41-59
Воронеж (473)204-51-73
Екатеринбург (343)384-55-89
Иваново (4932)77-34-06

Ижевск (3412)26-03-58
Иркутск (395)279-98-46
Казань (843)206-01-48
Калининград (4012)72-03-81
Калуга (4842)92-23-67
Кемерово (3842)65-04-62
Киров (8332)68-02-04
Краснодар (861)203-40-90
Красноярск (391)204-63-61
Курск (4712)77-13-04
Липецк (4742)52-20-81
Киргизия (996)312-96-26-47

Магнитогорск (3519)55-03-13
Москва (495)268-04-70
Мурманск (8152)59-64-93
Набережные Челны (8552)20-53-41
Нижний Новгород (831)429-08-12
Новокузнецк (3843)20-46-81
Новосибирск (383)227-86-73
Омск (3812)21-46-40
Орел (4862)44-53-42
Оренбург (3532)37-68-04
Пенза (8412)22-31-16
Россия (495)268-04-70

Пермь (342)205-81-47
Ростов-на-Дону (863)308-18-15
Рязань (4912)46-61-64
Самара (846)206-03-16
Санкт-Петербург (812)309-46-40
Саратов (845)249-38-78
Севастополь (8692)22-31-93
Симферополь (3652)67-13-56
Смоленск (4812)29-41-54
Сочи (862)225-72-31
Ставрополь (8652)20-65-13
Казахстан (772)734-952-31

Сургут (3462)77-98-35
Тверь (4822)63-31-35
Томск (3822)98-41-53
Тула (4872)74-02-29
Тюмень (3452)66-21-18
Ульяновск (8422)24-23-59
Уфа (347)229-48-12
Хабаровск (4212)92-98-04
Челябинск (351)202-03-61
Череповец (8202)49-02-64
Ярославль (4852)69-52-93

<https://celette.nt-rt.ru> || cfe@nt-rt.ru

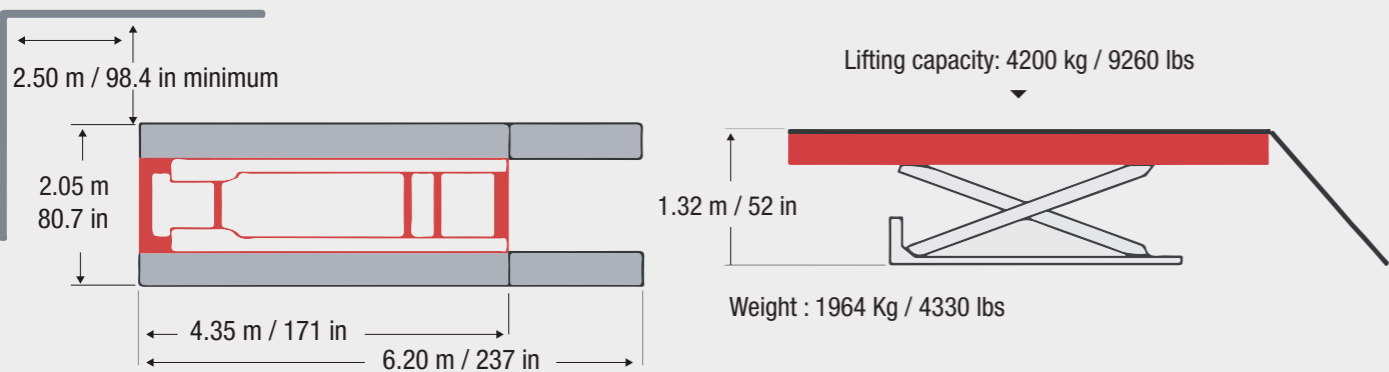


RHONE 4.2T

Drive-on bench with scissor lift

REF NO: RH18M.4220.x

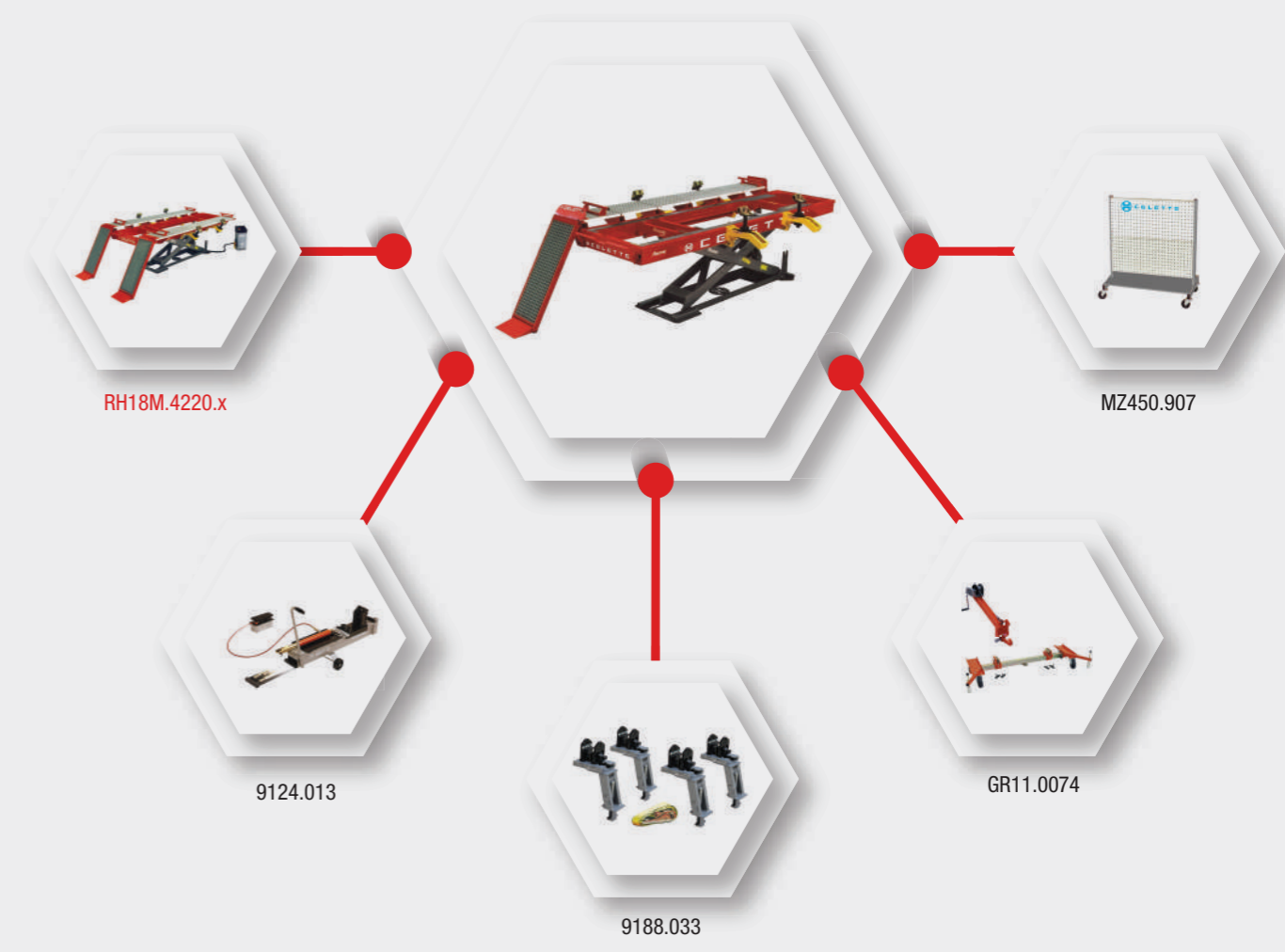
Rhone drive-on bench has been upgraded with a lifting capacity of **4200 kg** and to a height of **1.32 m**. The most versatile bench facilitates quick diagnosis and straightening with MZ / MZ+ and Cameleon universal bracket sets, pre and post repair reports can be obtained with Celette measuring systems. Thanks to the Celette vehicle loading trolley which enable you to load the damaged vehicles.



RHONE 4.2T

Drive-on bench with scissor lift

REF NO: RH18M.4220.x



AVAILABLE IN 2.8 & 4.2T LIFTING CAPACITY



CHECK WEBSITE FOR COMBO PRICES

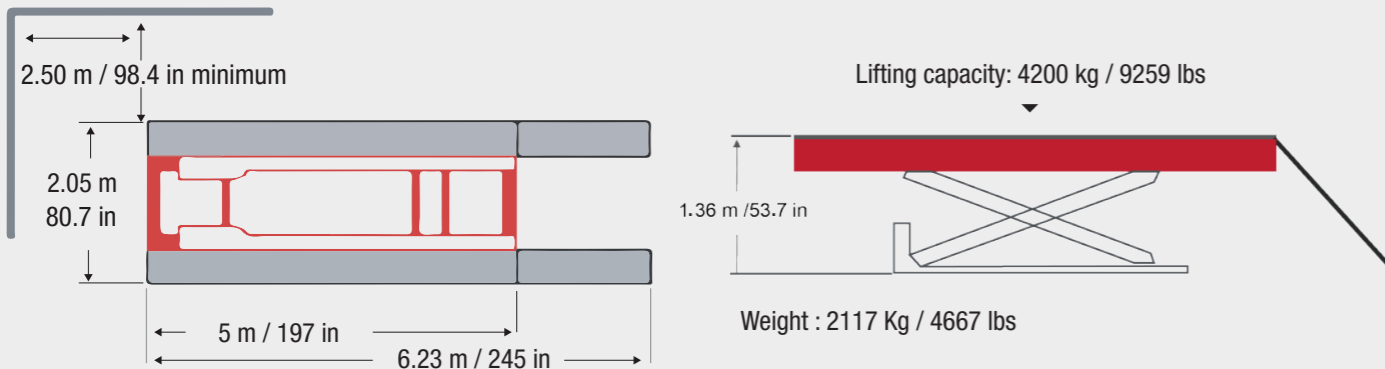
REF NUMBER	DESCRIPTION
RH16M.28221.x RH18M.4221.x	Drive-on bench + hydraulic power unit + 4 anchoring clamps + runway decking plates (composite) + 2 mobile stands + pulling unit
RH16N.38221.x RH18N.4221.x	Drive-on bench + Hydraulic power unit + 4 anchoring clamps + runway decking plates (composite) + 2 mobile stands + pulling unit + electronic measuring system NAJA 3D
REF NUMBER	OPTIONAL ACCESSORIES
MZ450.907	Accessories storage trolley
GR11.0074	Trolley to position the vehicle on the bench
9188.033	Tool to hold the chassis vehicle
9124.013	Supplementary vector pulling unit (10 ton) + extension + safety cable

RHONE L 4.2T

5-meter-long drive-on bench with scissor lift facilitates quick loading

REF NO: RH18LM.4220.x

Rhone L is the longer version of Rhone drive-on bench with **5 m** long and enhanced lifting capacity of **4200 kg**. Maximum lifting height is **1.36 m**. Recommended for long wheel base vehicle. The detachable rams provides better access to the vehicle while pulling and measuring.



RHONE L 4.2T

5-meter-long drive-on bench with scissor lift facilitates quick loading

REF NO: RH18LM.4220.x



CHECK WEBSITE FOR COMBO PRICES

REF NUMBER	DESCRIPTION
RH18LM.4220.x	Rhone L 4.2T Drive-on bench + hydraulic power unit + 4 anchoring clamps + runway decking plates (steel) + 2 mobile stands
RH18LM.4221.x	Rhone L 4.2T Drive-on bench + hydraulic power unit + 4 anchoring clamps + runway decking plates (steel) + 2 mobile stands + pulling unit
RH18LN.4221.x	Rhone L 4.2T Drive-on bench + hydraulic power unit + 4 anchoring clamps + runway decking plates (steel) + 2 mobile stands + pulling unit + electronic measuring systems NAJA 3D
REF NUMBER	OPTIONAL ACCESSORIES
MZ450.907	Accessories storage trolley
T10S1	Hydraulic set 10 T
SVN19.301	Sevenne pulling unit
9124.013	Supplementary vector pulling unit

Extra Long Bench with Massive Lifting Capacity



FOUR CYLINDERS WITH TWIN SAFETY MECHANISM

SUITABLE FOR ALL KINDS OF LCV

EXTRA LONG BENCH WITH 1,3 METER WORKING HEIGHT

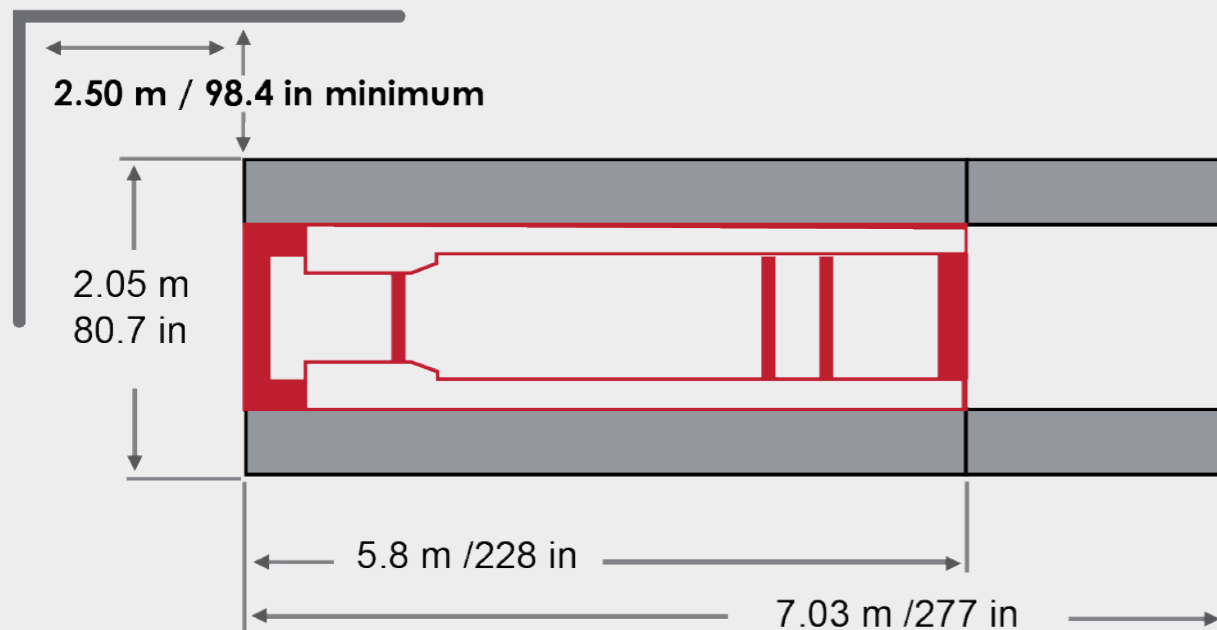
6 METER EXTRA LONG DRIVE-ON BENCH WITH DOUBLE SCISSOR LIFT

RHONE XL

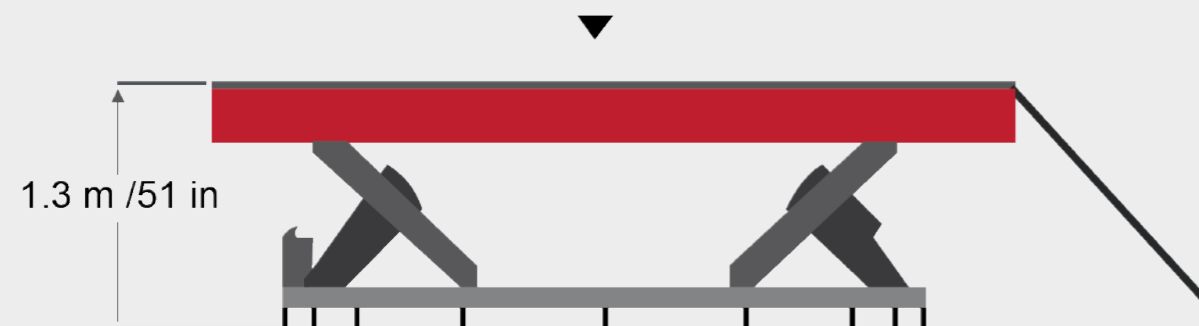
6 METER EXTRA LONG BENCH WITH DOUBLE SCISSOR LIFT

REF NO: RH18XLF.4221.x | RH18XLF.4211.x | RH18XLM.4221.x | RH18XLM.4211.x

Rhone XL is an extra long bench with **4200 kg** lifting capacity to repair all types of light commercial vehicles and long wheel base passenger cars. The unique feature of this bench is the lifting height of **1,3 meter** that enables you to work at a very comfortable height for better productivity.



Lifting capacity: 4200 Kg/9259 lbs



Weight: 1890 Kg/ 4197 lbs

VARIANTS OF RHONE XL

RHONE XL IN-GROUND

RHONE XL ON-GROUND

UPGRADE KIT FOR SEVENNE XL TO RHONE XL

THE TABLE BELOW SHOWS THE DIFFERENT VARIANTS OF RHONE XL AND ITS ASSOCIATED COMPONENTS

REF NUMBER	DESCRIPTION
RH18XLF.4221.x	RHONE XL 4.2T (IN-GROUND) + PULLING UNIT "SEVENNE" WITH AXLE STANDS
RH18XLF.4211.x	RHONE XL 4.2T (IN-GROUND) + PULLING UNIT "SEVENNE" WITH C-STANDS
RH18XLM.4221.x	RHONE XL 4.2T DRIVE-ON BENCH (ON-GROUND) + PULLING UNIT "SEVENNE" WITH AXLE STANDS
RH18XLM.4211.x	RHONE XL 4.2T DRIVE-ON BENCH (ON-GROUND) + PULLING UNIT "SEVENNE" WITH C-STANDS
SVN19.301	SEVENNE PULLING UNIT (10 TON) + EXTENSION + SAFETY CABLE
RVN93X.110	4 AXLE STANDS WITH CASTERS
RH18S.201	C-STANDS FOR WHEELS
9186.03	IN-GROUND RAMPS
9123.023	ARCHED SILL CLAMPS
9186.312	GRIFFON XL BENCH BASE
RH18XL.01.520	X-LIFT WITH POWER UNIT

RH18XLM.4221.X

RHONE XL 4.2T DRIVE-ON BENCH (ON-GROUND) + PULLING UNIT "SEVENNE" WITH AXLE STANDS



RH18XLM.4211.X

RHONE XL 4.2T DRIVE-ON BENCH (ON-GROUND) + PULLING UNIT "SEVENNE" WITH C-STANDS



Архангельск (8182)63-90-72
 Астана (7172)727-132
 Астрахань (8512)99-46-04
 Барнаул (3852)73-04-60
 Белгород (4722)40-23-64
 Брянск (4832)59-03-52
 Владивосток (423)249-28-31
 Волгоград (844)278-03-48
 Вологда (8172)26-41-59
 Воронеж (473)204-51-73
 Екатеринбург (343)384-55-89
 Иваново (4932)77-34-06

Ижевск (3412)26-03-58
 Иркутск (395)279-98-46
 Казань (843)206-01-48
 Калининград (4012)72-03-81
 Калуга (4842)92-23-67
 Кемерово (3842)65-04-62
 Киров (8332)68-02-04
 Краснодар (861)203-40-90
 Красноярск (391)204-63-61
 Курск (4712)77-13-04
 Липецк (4742)52-20-81

Киргизия (996)312-96-26-47

Магнитогорск (3519)55-03-13
 Москва (495)268-04-70
 Мурманск (8152)59-64-93
 Набережные Челны (8552)20-53-41
 Нижний Новгород (831)429-08-12
 Новокузнецк (3843)20-46-81
 Новосибирск (383)227-86-73
 Омск (3812)21-46-40
 Орел (4862)44-53-42
 Оренбург (3532)37-68-04
 Пенза (8412)22-31-16

Россия (495)268-04-70

Пермь (342)205-81-47
 Ростов-на-Дону (863)308-18-15
 Рязань (4912)46-61-64
 Самара (846)206-03-16
 Санкт-Петербург (812)309-46-40
 Саратов (845)249-38-78
 Севастополь (8692)22-31-93
 Симферополь (3652)67-13-56
 Смоленск (4812)29-41-54
 Сочи (862)225-72-31
 Ставрополь (8652)20-65-13

Казахстан (772)734-952-31

Сургут (3462)77-98-35
 Тверь (4822)63-31-35
 Томск (3822)98-41-53
 Тула (4872)74-02-29
 Тюмень (3452)66-21-18
 Ульяновск (8422)24-23-59
 Уфа (347)229-48-12
 Хабаровск (4212)92-98-04
 Челябинск (351)202-03-61
 Череповец (8202)49-02-64
 Ярославль (4852)69-52-93