

<b>Архангельск</b> (8182)63-90-72	<b>Ижевск</b> (3412)26-03-58	<b>Магнитогорск</b> (3519)55-03-13	<b>Пермь</b> (342)205-81-47	<b>Сургут</b> (3462)77-98-35
<b>Астана</b> (7172)727-132	<b>Иркутск</b> (395)279-98-46	<b>Москва</b> (495)268-04-70	<b>Ростов-на-Дону</b> (863)308-18-15	<b>Тверь</b> (4822)63-31-35
<b>Астрахань</b> (8512)99-46-04	<b>Казань</b> (843)206-01-48	<b>Мурманск</b> (8152)59-64-93	<b>Рязань</b> (4912)46-61-64	<b>Томск</b> (3822)98-41-53
<b>Барнаул</b> (3852)73-04-60	<b>Калининград</b> (4012)72-03-81	<b>Набережные Челны</b> (8552)20-53-41	<b>Самара</b> (846)206-03-16	<b>Тула</b> (4872)74-02-29
<b>Белгород</b> (4722)40-23-64	<b>Калуга</b> (4842)92-23-67	<b>Нижний Новгород</b> (831)429-08-12	<b>Санкт-Петербург</b> (812)309-46-40	<b>Тюмень</b> (3452)66-21-18
<b>Брянск</b> (4832)59-03-52	<b>Кемерово</b> (3842)65-04-62	<b>Новокузнецк</b> (3843)20-46-81	<b>Саратов</b> (845)249-38-78	<b>Ульяновск</b> (8422)24-23-59
<b>Владивосток</b> (423)249-28-31	<b>Киров</b> (8332)68-02-04	<b>Новосибирск</b> (383)227-86-73	<b>Севастополь</b> (8692)22-31-93	<b>Уфа</b> (347)229-48-12
<b>Волгоград</b> (844)278-03-48	<b>Краснодар</b> (861)203-40-90	<b>Омск</b> (3812)21-46-40	<b>Симферополь</b> (3652)67-13-56	<b>Хабаровск</b> (4212)92-98-04
<b>Вологда</b> (8172)26-41-59	<b>Красноярск</b> (391)204-63-61	<b>Орел</b> (4862)44-53-42	<b>Смоленск</b> (4812)29-41-54	<b>Челябинск</b> (351)202-03-61
<b>Воронеж</b> (473)204-51-73	<b>Курск</b> (4712)77-13-04	<b>Оренбург</b> (3532)37-68-04	<b>Сочи</b> (862)225-72-31	<b>Череповец</b> (8202)49-02-64
<b>Екатеринбург</b> (343)384-55-89	<b>Липецк</b> (4742)52-20-81	<b>Пенза</b> (8412)22-31-16	<b>Ставрополь</b> (8652)20-65-13	<b>Ярославль</b> (4852)69-52-93
<b>Иваново</b> (4932)77-34-06				

Киргизия (996)312-96-26-47

Россия (495)268-04-70

Казахстан (772)734-952-31

<https://celette.nt-rt.ru> || [cfe@nt-rt.ru](mailto:cfe@nt-rt.ru)



**CAMELEON** ▶

A NEW CONCEPT FOR STRUCTURAL REPAIR AND  
MEASUREMENT OF DAMAGED VEHICLES

## CAMELEON

Customizable fixture solution - Universal | Adjustable

REF NO: CAM01.102 | CAM02.142 | CAM02.162



A New concept for structural repair and measurement of damaged vehicles. Cameleon offers a complete and accurate structural repair solution for all the existing and future vehicles without the need for additional tools.



- ▶ **Online 3D software** ensures UP-TO-DATE vehicle database all the time
- ▶ Intuitive assembly layout facilitates quick construction of Cameleon fixtures
- ▶ No compromise in the accuracy level of repair
- ▶ Complete solution for measuring/diagnosis, anchoring, re-construction and repair with a unique technique for all the vehicles in the segment
- ▶ Facilitates the use of existing Celette benches, cross members, MZ towers and MZ+ pistons
- ▶ User-friendly software interface enables faster learning by body technicians
- ▶ Twice as efficient in terms of productivity compared to electronic measuring systems and so-called universal jig systems

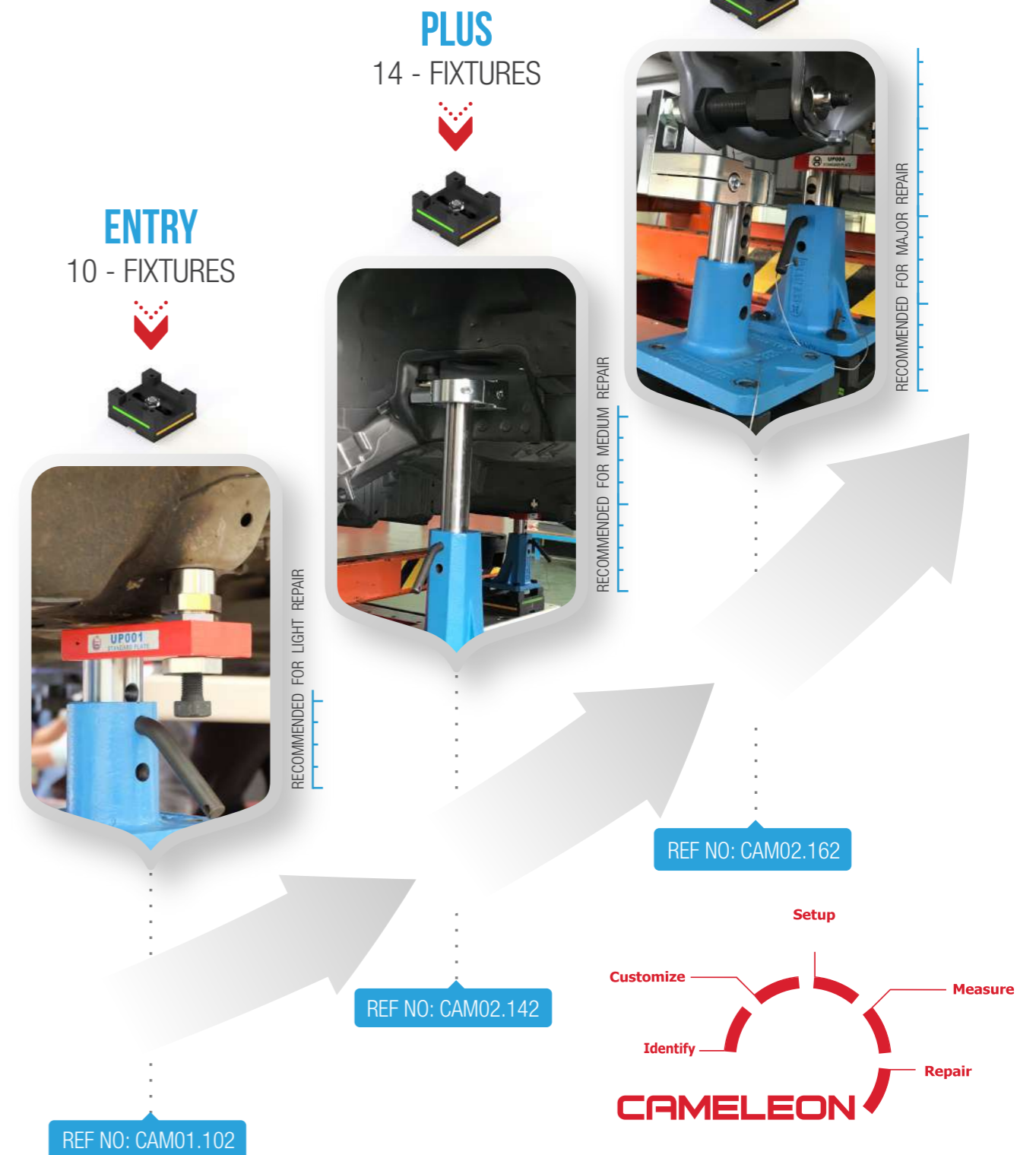
## CAMELEON

Customizable fixture solution - Universal | Adjustable

REF NO: CAM01.102 | CAM02.142 | CAM02.162



Build your own **JIGS** with **OEM 3D CAD** coordinates - Celette certified repair with Cameleon



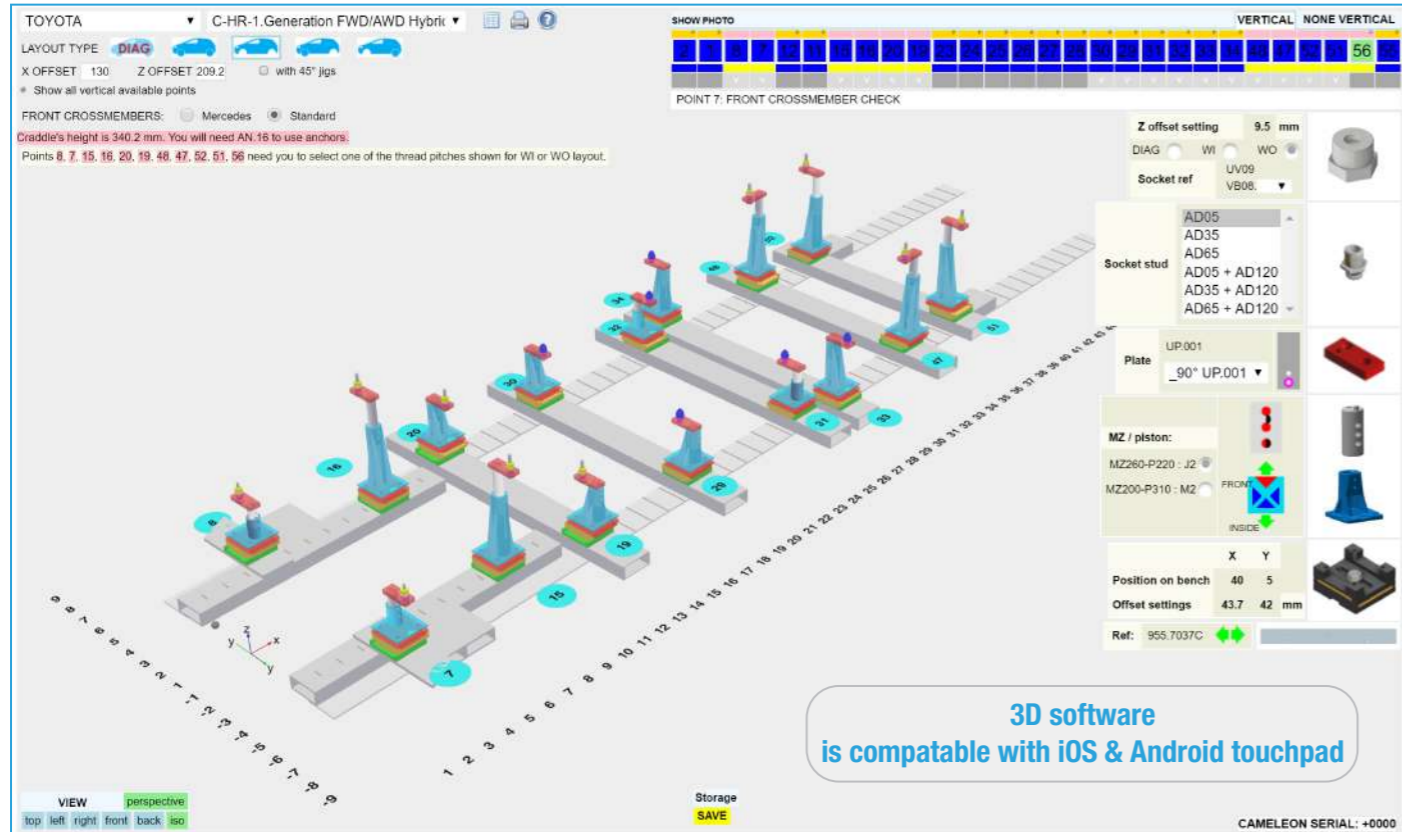
# CAMELEON

Customizable fixture solution - Universal | Adjustable

REF NO: CAM01.102 | CAM02.142 | CAM02.162



## USER INTERFACE - ISOMETRIC [3D] VIEW



3D software is compatible with iOS & Android touchpad

## PREMIUM / PLUS

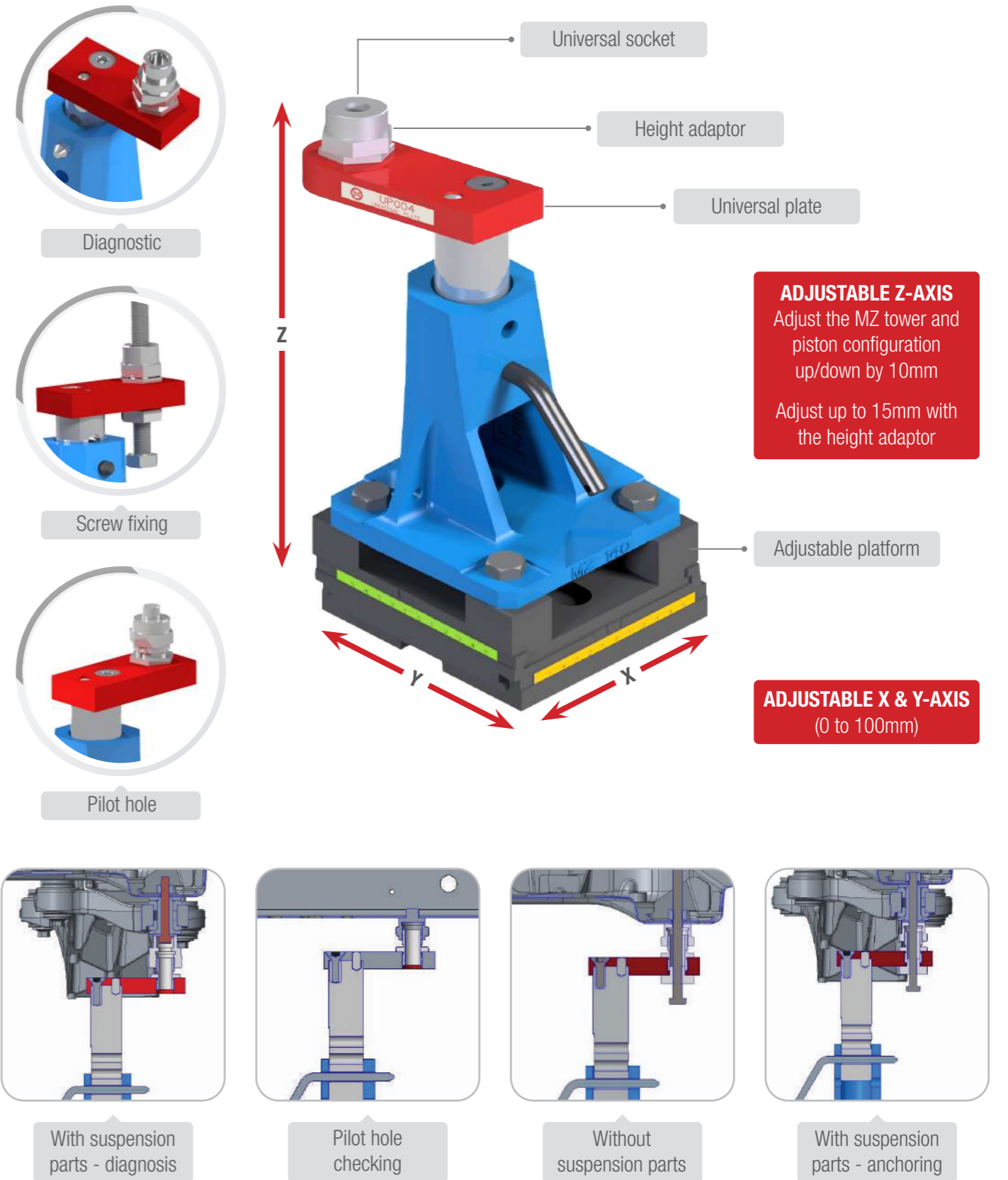


3D software is compatible with iOS & Android touchpad

# CAMELEON

Customizable fixture solution - Universal | Adjustable

REF NO: CAM01.102 | CAM02.142 | CAM02.162



## CAMELEON

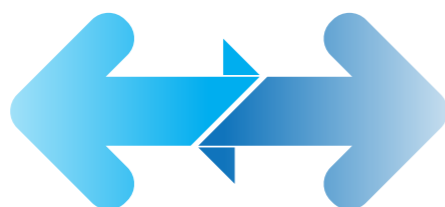
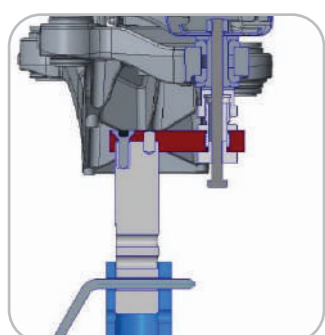
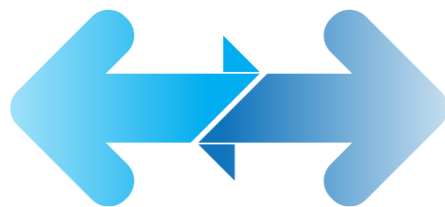
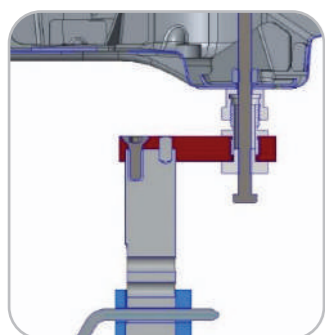
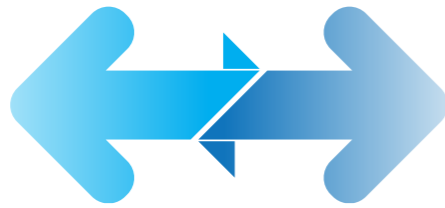
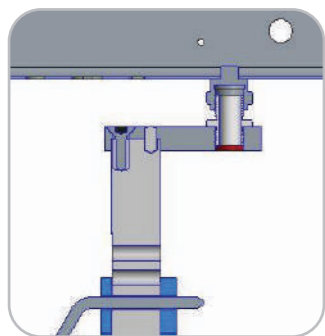
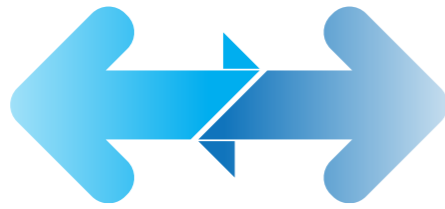
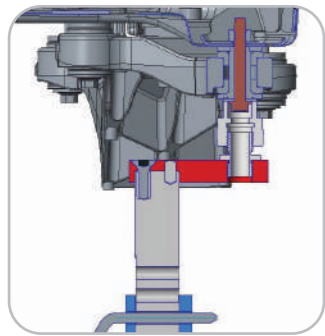
Customizable fixture solution - Universal | Adjustable

REF NO: CAM01.102 | CAM02.142 | CAM02.162



DIAGNOSTIC | POSITIONING | ANCHORING

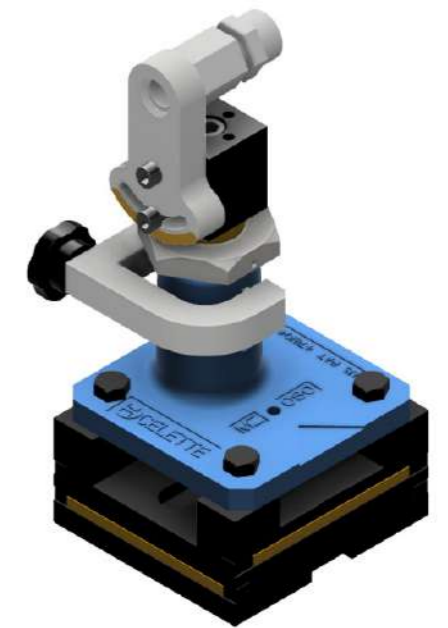
All what you need to perform an OEM recommended repair process



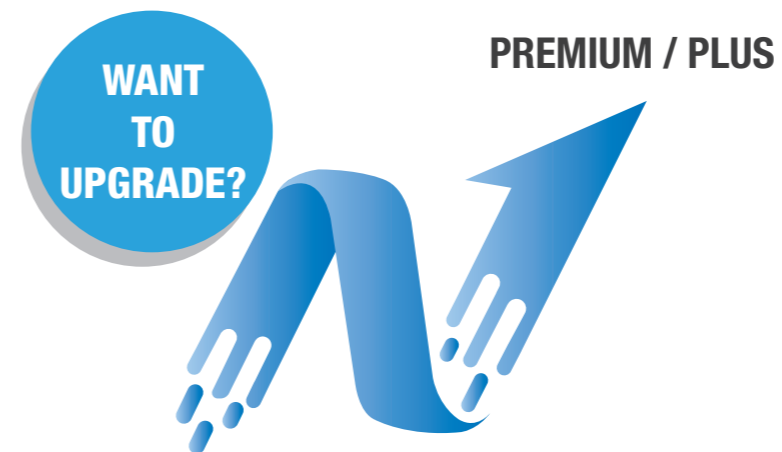
## CAMELEON

Customizable fixture solution - Universal | Adjustable

REF NO: CAM01.102 | CAM02.142 | CAM02.162



**ADDITIONAL HOLDING DEVICE**  
STANDARD SCOPE OF SUPPLY WITH  
ALL VARIANTS OF CAMELEON



### CAMELEON ENTRY

- CAM02.066  
ADD-ON KIT TO CAMELEON PREMIUM
- CAM02.042  
ADD-ON KIT TO CAMELEON PLUS

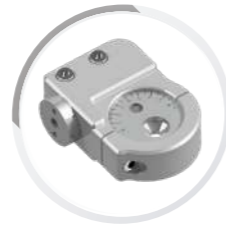


ALL THE COMPONENTS ARE  
ERGONOMICALLY PLACED INSIDE THE  
TROLLEY FOR MANEUVERABILITY

### CAMELEON

Customizable fixture solution - Universal | Adjustable

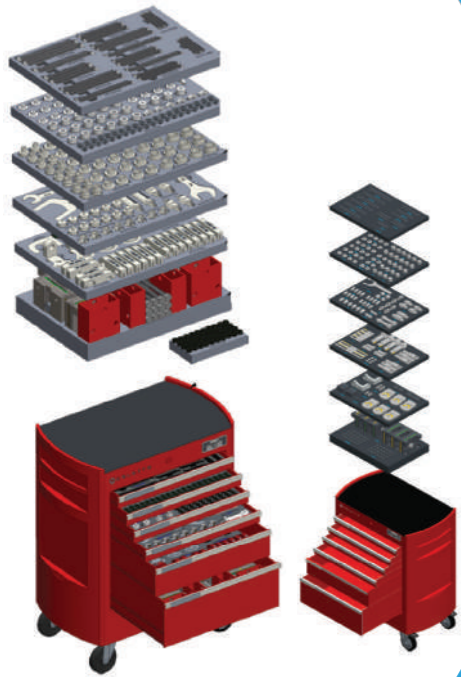
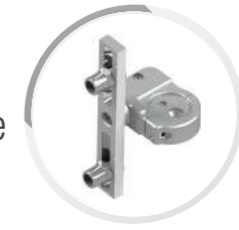
REF NO: CAM01.102 | CAM02.142 | CAM02.162



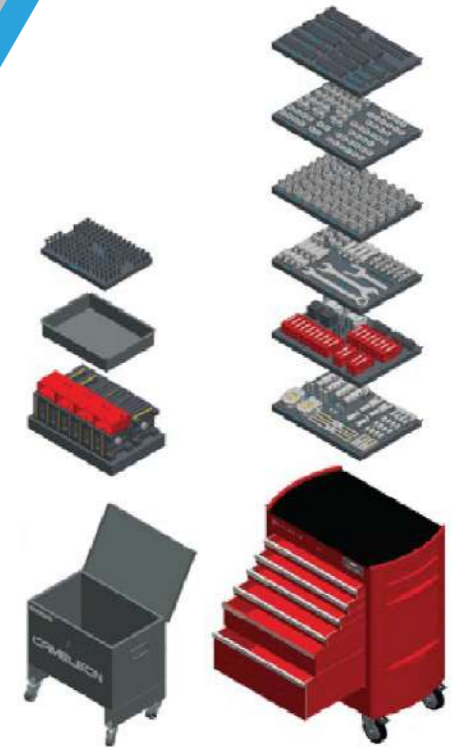
### CAMELEON

Customizable fixture solution - Universal | Adjustable

REF NO: CAM01.102 | CAM02.142 | CAM02.162



CAM02.162



CAM02.142

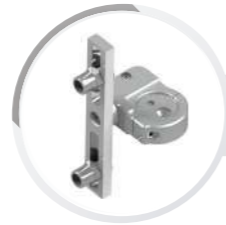
# CAMELEON PREMIUM

# CAMELEON PLUS

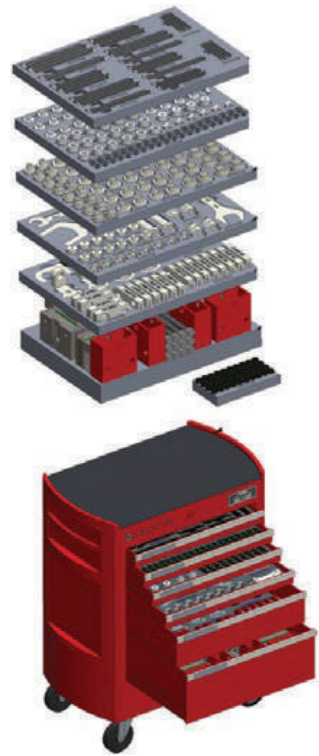
### CAMELEON

Customizable fixture solution - Universal | Adjustable

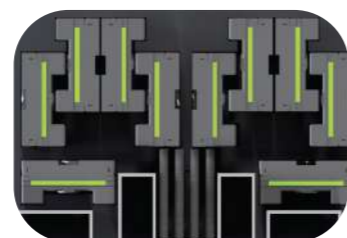
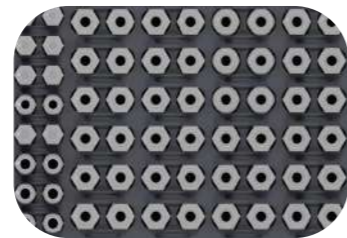
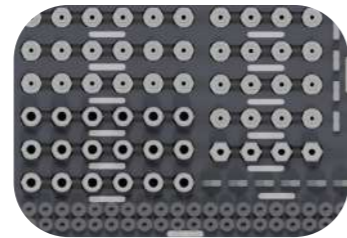
REF NO: CAM01.102 | CAM02.142 | CAM02.162



ONLY WITH PLUS & PREMIUM VARIANTS



CAM01.102



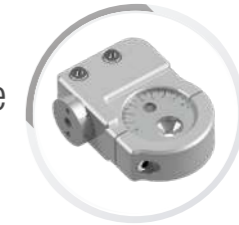
**CAMELEON**  
**ENTRY**



### CAMELEON

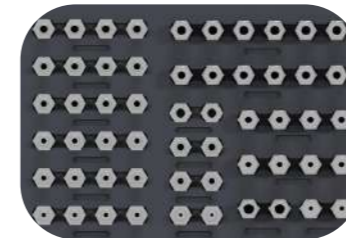
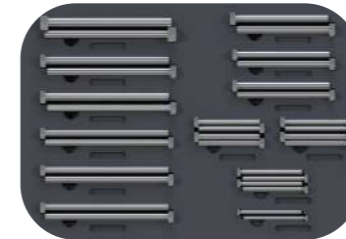
Customizable fixture solution - Universal | Adjustable

REF NO: CAM01.102 | CAM02.142 | CAM02.162



UPGRADE TO PLUS VARIANT REF NO: CAM02.042

UPGRADE TO PREMIUM VARIANT REF NO: CAM02.066



CAM02.042

CAM02.066

**CAMELEON**  
**ADD-ON KIT**

◀ CAMELEON



Архангельск (8182)63-90-72  
Астана (7172)727-132  
Астрахань (8512)99-46-04  
Барнаул (3852)73-04-60  
Белгород (4722)40-23-64  
Брянск (4832)59-03-52  
Владивосток (423)249-28-31  
Волгоград (844)278-03-48  
Вологда (8172)26-41-59  
Воронеж (473)204-51-73  
Екатеринбург (343)384-55-89  
Иваново (4932)77-34-06

Ижевск (3412)26-03-58  
Иркутск (395)279-98-46  
Казань (843)206-01-48  
Калининград (4012)72-03-81  
Калуга (4842)92-23-67  
Кемерово (3842)65-04-62  
Киров (8332)68-02-04  
Краснодар (861)203-40-90  
Красноярск (391)204-63-61  
Курск (4712)77-13-04  
Липецк (4742)52-20-81  
Киргизия (996)312-96-26-47

Магнитогорск (3519)55-03-13  
Москва (495)268-04-70  
Мурманск (8152)59-64-93  
Набережные Челны (8552)20-53-41  
Нижний Новгород (831)429-08-12  
Новокузнецк (3843)20-46-81  
Новосибирск (383)227-86-73  
Омск (3812)21-46-40  
Орел (4862)44-53-42  
Оренбург (3532)37-68-04  
Пенза (8412)22-31-16  
Россия (495)268-04-70

Пермь (342)205-81-47  
Ростов-на-Дону (863)308-18-15  
Рязань (4912)46-61-64  
Самара (846)206-03-16  
Санкт-Петербург (812)309-46-40  
Саратов (845)249-38-78  
Севастополь (8692)22-31-93  
Симферополь (3652)67-13-56  
Смоленск (4812)29-41-54  
Сочи (862)225-72-31  
Ставрополь (8652)20-65-13  
Казахстан (772)734-952-31

Сургут (3462)77-98-35  
Тверь (4822)63-31-35  
Томск (3822)98-41-53  
Тула (4872)74-02-29  
Тюмень (3452)66-21-18  
Ульяновск (8422)24-23-59  
Уфа (347)229-48-12  
Хабаровск (4212)92-98-04  
Челябинск (351)202-03-61  
Череповец (8202)49-02-64  
Ярославль (4852)69-52-93